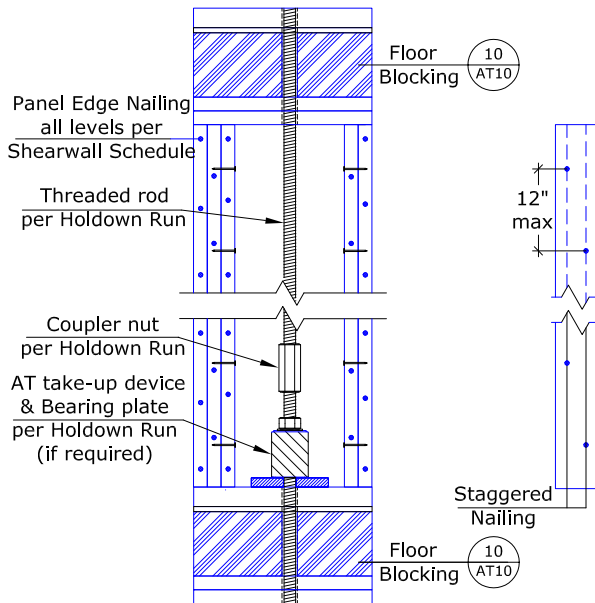


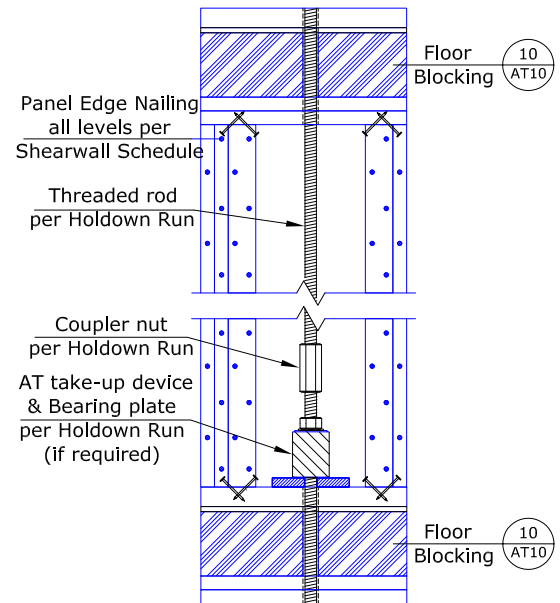


Compression Post Nailing

2x and 3x Compression Post



4x and larger Compression Post



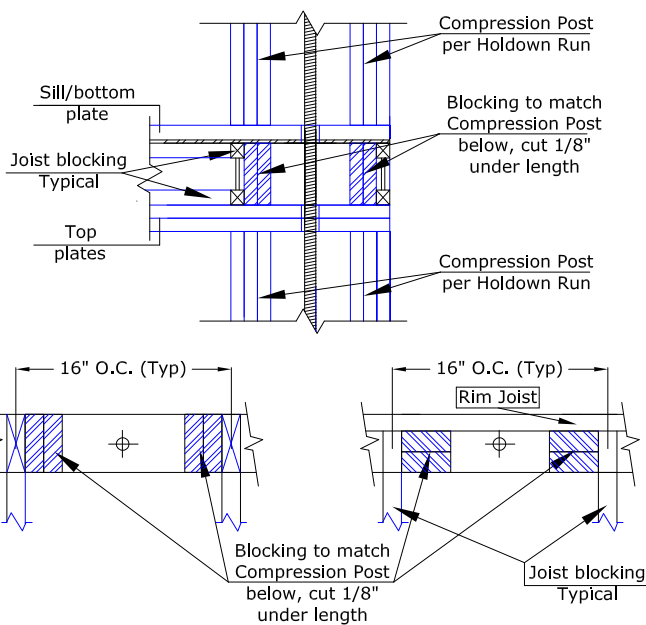
Compression Post (2x and 3x) Notes:

1. All full height 2 x and 3 x compression posts shall be staggered stitch nailed @ 12" O.C., except at termination header floor/level.
2. Panel (boundary) edge nailing shall be the same as the Shearwall Schedule on each compression post on each side of the rod.

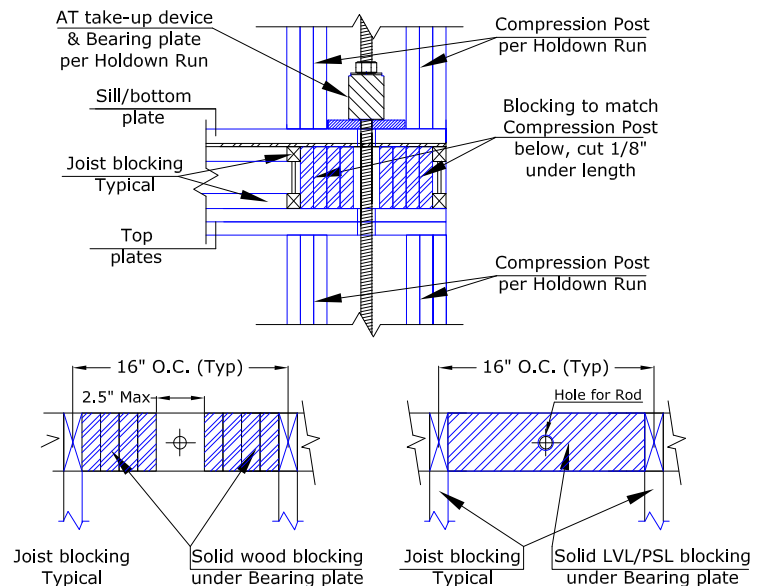
Compression Post (4x and larger) Notes:

1. All full height 4 x and 6 x comp posts shall receive toe nailing to top and bottom plate and panel edge nailing per structural plans.
2. Panel edge nailing shall be the same as the Shearwall Schedule with an additional row(s) of panel edge nailing located 3" O.C. on compression post 4x and larger.

Floor Blocking for Compression Post



Solid Floor Blocking under Bearing plate



Floor Blocking Notes:

1. All floor blocking shall have 1/8" vertical clearance between wall plates or floors.
2. Parallam may be substituted for solid sawn wood. Blocking must match compression post below or be solid blocked when under a bearing plate. Rod clearance hole may be rod size plus 1/4" - 1/2" oversized.